

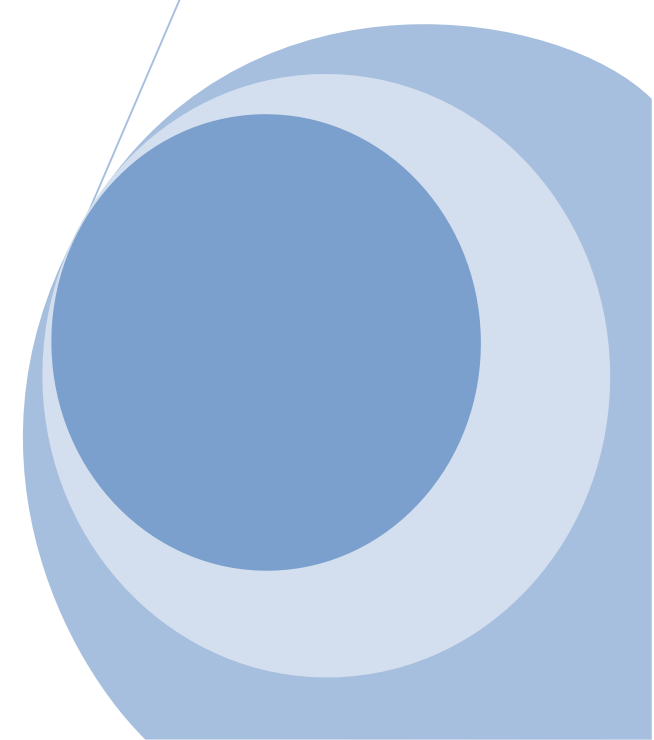
SIMOLEX.COM

Bulb seal and gaskets

Simolex Rubber Corporation

Simolex Rubber Corporation is custom manufacturer of extruded silicone rubber products. Bulb seal gaskets are one of their top demanded quality products.

Simolex Rubber Corporation
<http://simolex.com>



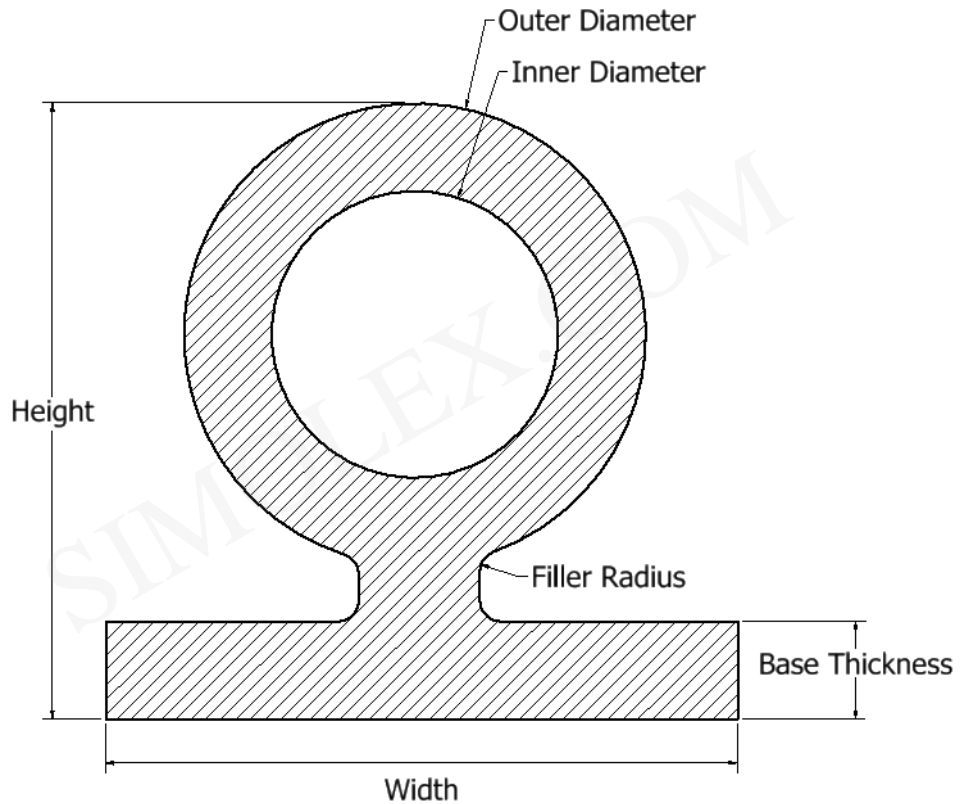


14505 Keel Street, Plymouth, MI 48170

Phone : (734) 453 – 4500

Fax : (734) 453 – 6120

Website: <http://simolex.com>



Part	Bulb1
Width	
Height	
Base Thickness	
Material Hardness	
Customer Notes	

Note: Indicate all the necessary dimensions in the drawing. If there is extra dimensional details you want to provide us, please indicate it in the drawing.

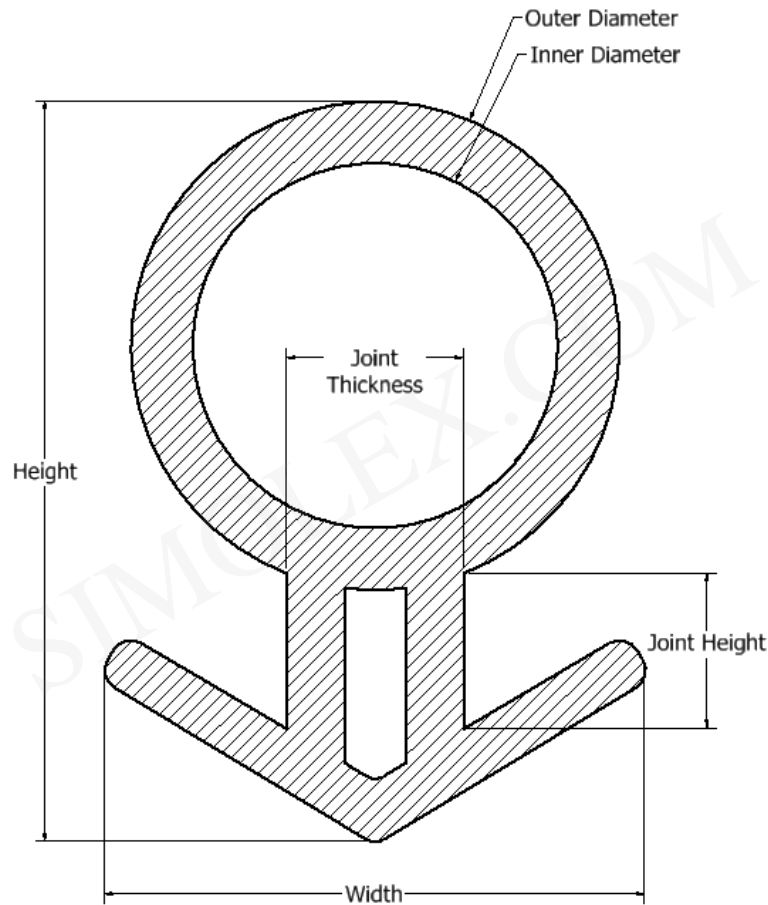


14505 Keel Street, Plymouth, MI 48170

Phone : (734) 453 – 4500

Fax : (734) 453 – 6120

Website: <http://simolex.com>



Part	Bulb2
Width	
Height	
Base Thickness	
Material Hardness	
Customer Notes	

Note: Indicate all the necessary dimensions in the drawing. If there is extra dimensional details you want to provide us, please indicate it in the drawing.

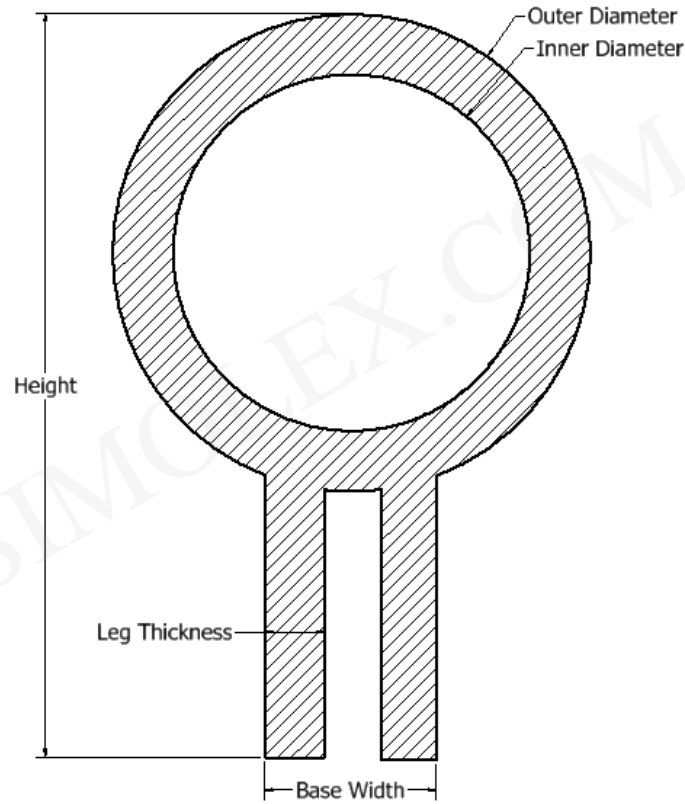


14505 Keel Street, Plymouth, MI 48170

Phone : (734) 453 – 4500

Fax : (734) 453 – 6120

Website: <http://simolex.com>



Part	Bulb3
Width	
Height	
Base Thickness	
Material Hardness	
Customer Notes	

Note: Indicate all the necessary dimensions in the drawing. If there is extra dimensional details you want to provide us, please indicate it in the drawing.

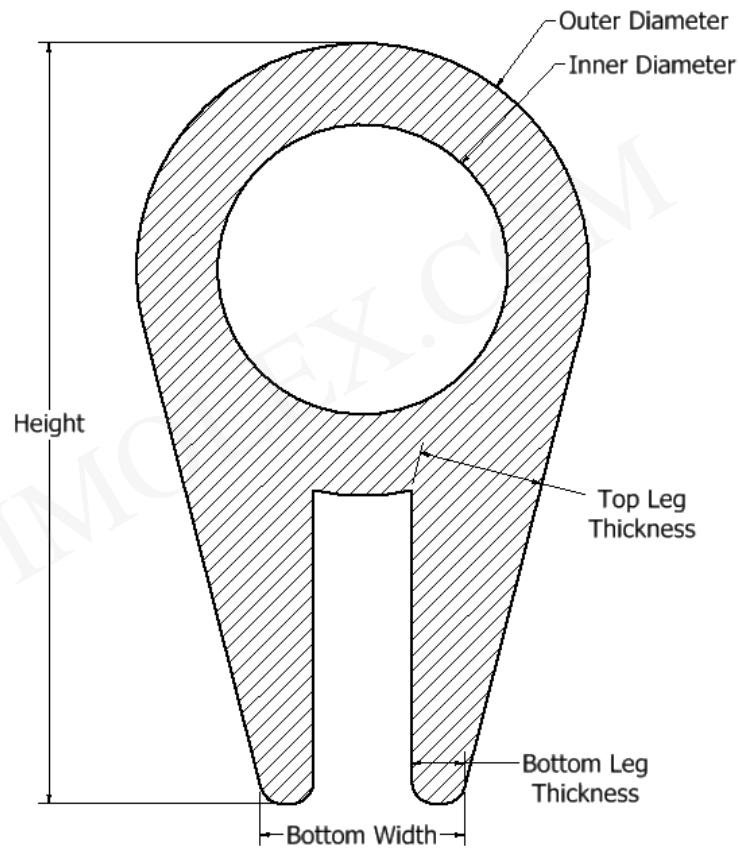


14505 Keel Street, Plymouth, MI 48170

Phone : (734) 453 – 4500

Fax : (734) 453 – 6120

Website: <http://simolex.com>



Part	Bulb4
Width	
Height	
Base Thickness	
Material Hardness	
Customer Notes	

Note: Indicate all the necessary dimensions in the drawing. If there is extra dimensional details you want to provide us, please indicate it in the drawing.

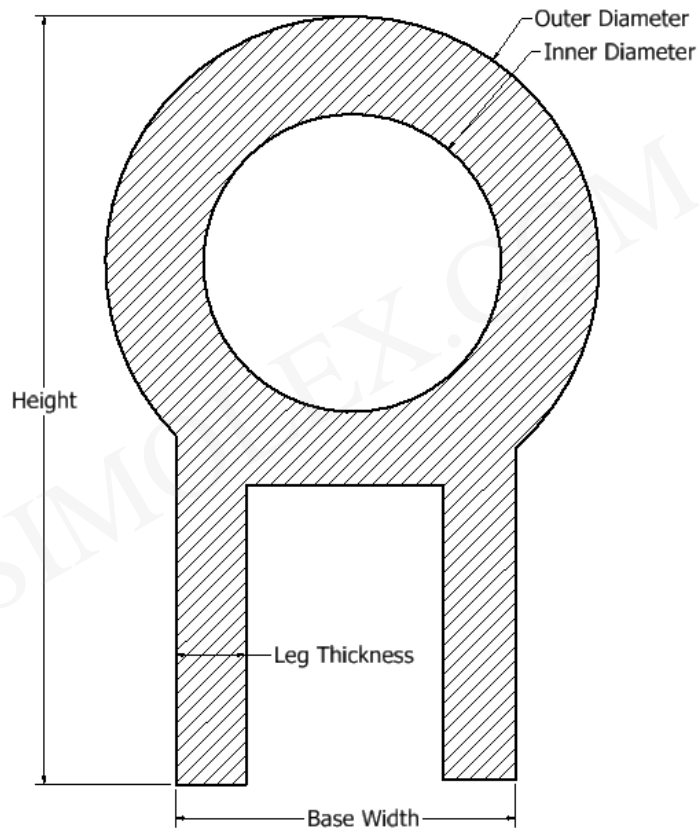


14505 Keel Street, Plymouth, MI 48170

Phone : (734) 453 – 4500

Fax : (734) 453 – 6120

Website: <http://simolex.com>



Part	Bulb5
Width	
Height	
Base Thickness	
Material Hardness	
Customer Notes	

Note: Indicate all the necessary dimensions in the drawing. If there is extra dimensional details you want to provide us, please indicate it in the drawing.

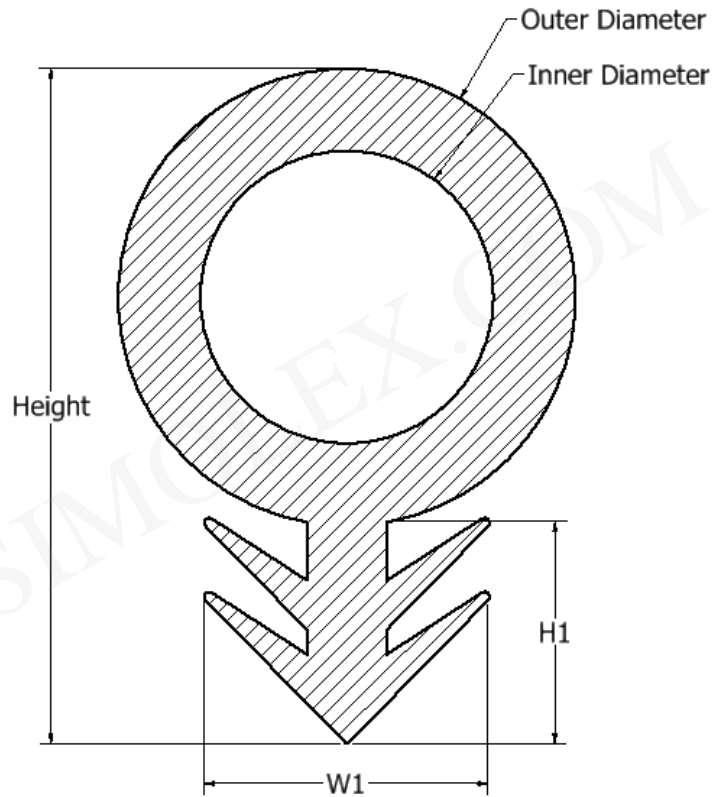


14505 Keel Street, Plymouth, MI 48170

Phone : (734) 453 – 4500

Fax : (734) 453 – 6120

Website: <http://simolex.com>



Part	Bulb6
Width	
Height	
Base Thickness	
Material Hardness	
Customer Notes	

Note: Indicate all the necessary dimensions in the drawing. If there is extra dimensional details you want to provide us, please indicate it in the drawing.

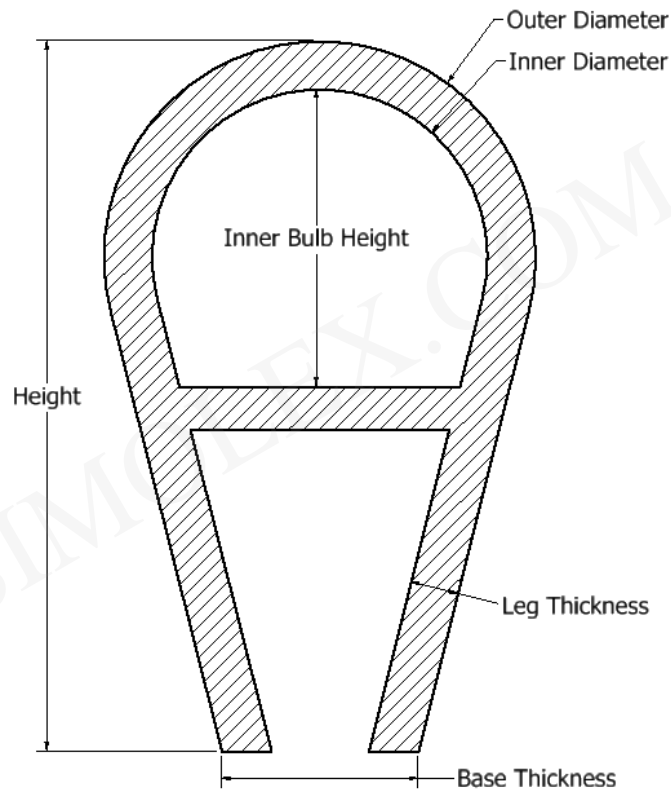


14505 Keel Street, Plymouth, MI 48170

Phone : (734) 453 – 4500

Fax : (734) 453 – 6120

Website: <http://simolex.com>



Part	Bulb7
Width	
Height	
Base Thickness	
Material Hardness	
Customer Notes	

Note: Indicate all the necessary dimensions in the drawing. If there is extra dimensional details you want to provide us, please indicate it in the drawing.

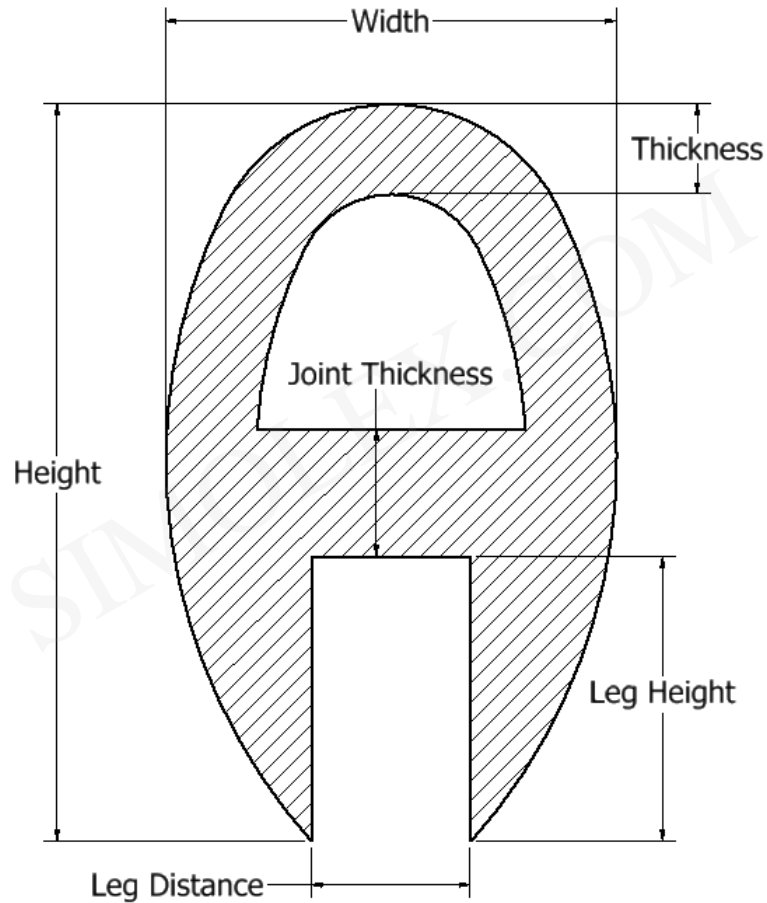


14505 Keel Street, Plymouth, MI 48170

Phone : (734) 453 – 4500

Fax : (734) 453 – 6120

Website: <http://simolex.com>



Part	Bulb8
Width	
Height	
Base Thickness	
Material Hardness	
Customer Notes	

Note: Indicate all the necessary dimensions in the drawing. If there is extra dimensional details you want to provide us, please indicate it in the drawing.

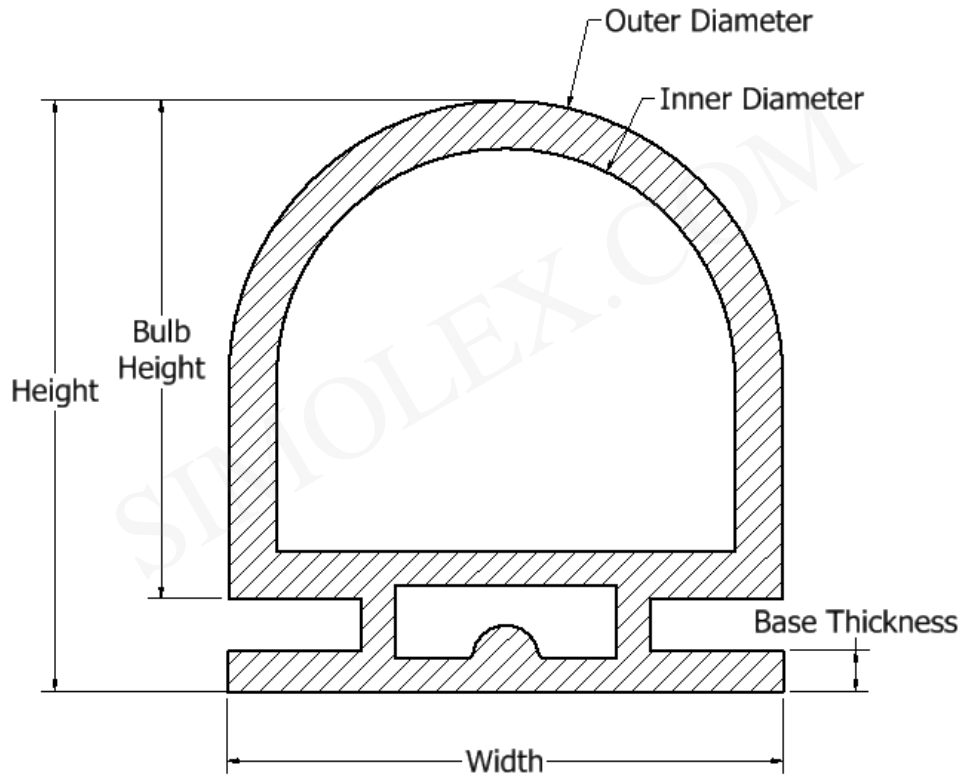


14505 Keel Street, Plymouth, MI 48170

Phone : (734) 453 – 4500

Fax : (734) 453 – 6120

Website: <http://simolex.com>



Part	Bulb9
Width	
Height	
Base Thickness	
Material Hardness	
Customer Notes	

Note: Indicate all the necessary dimensions in the drawing. If there is extra dimensional details you want to provide us, please indicate it in the drawing.

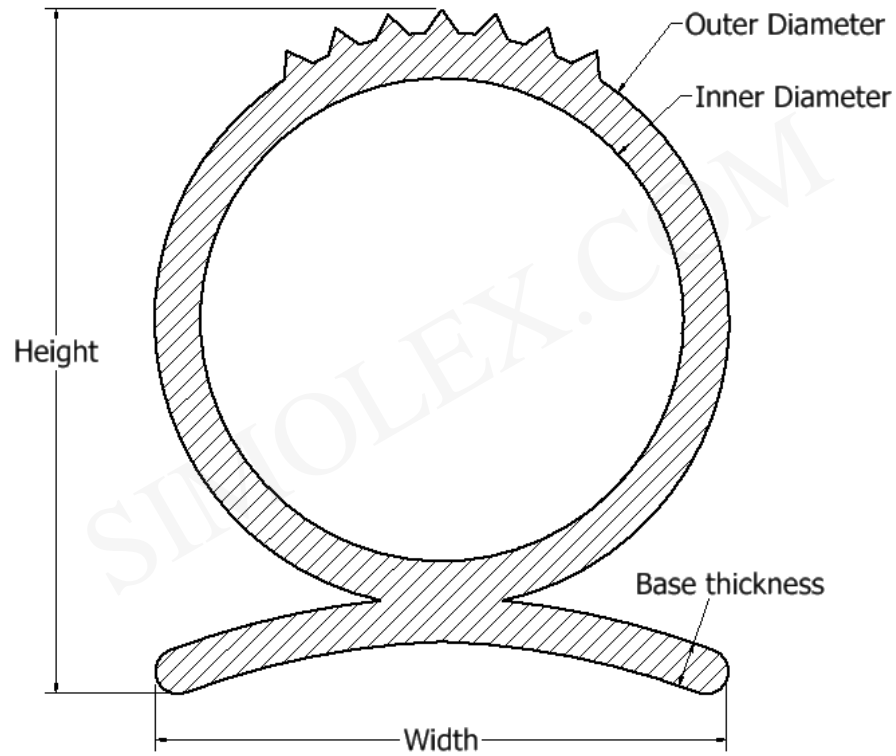


14505 Keel Street, Plymouth, MI 48170

Phone : (734) 453 – 4500

Fax : (734) 453 – 6120

Website: <http://simolex.com>



Part	Bulb10
Width	
Height	
Base Thickness	
Material Hardness	
Customer Notes	

Note: Indicate all the necessary dimensions in the drawing. If there is extra dimensional details you want to provide us, please indicate it in the drawing.