

P Shaped Silicone Rubber Seals

Simolex Rubber Corporation

We are manufacturer of extruded silicone rubber products. We manufacture all standard as well as custom designed silicone profiles of all size and shapes.

Call : (734) 453 - 4500

Fax : (734) 453 - 6120

<http://simolex.com>

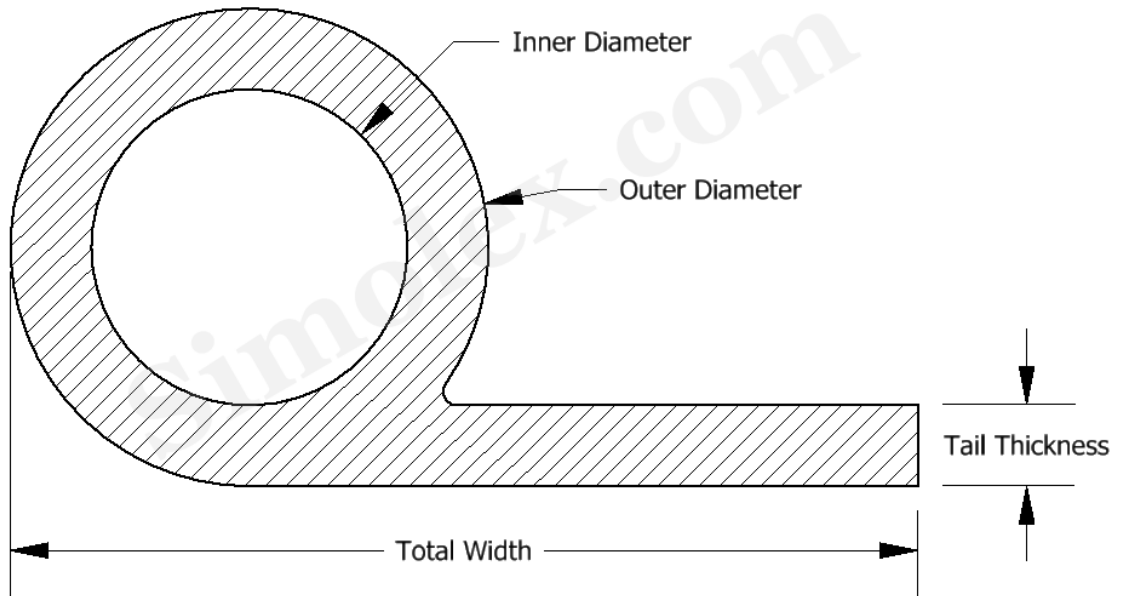


14505 Keel Street, Plymouth, MI 48170

Phone : (734) 453 – 4500

Fax : (734) 453 – 6120

Website: <http://simolex.com>



Part	P1
Width	
Outer Diameter	
Inner Diameter	
Tail Thickness	
Material Hardness	
Customer Notes	

Note: Indicate all the necessary dimensions in the drawing. If there is extra dimensional details you want to provide us, please indicate it in the drawing.

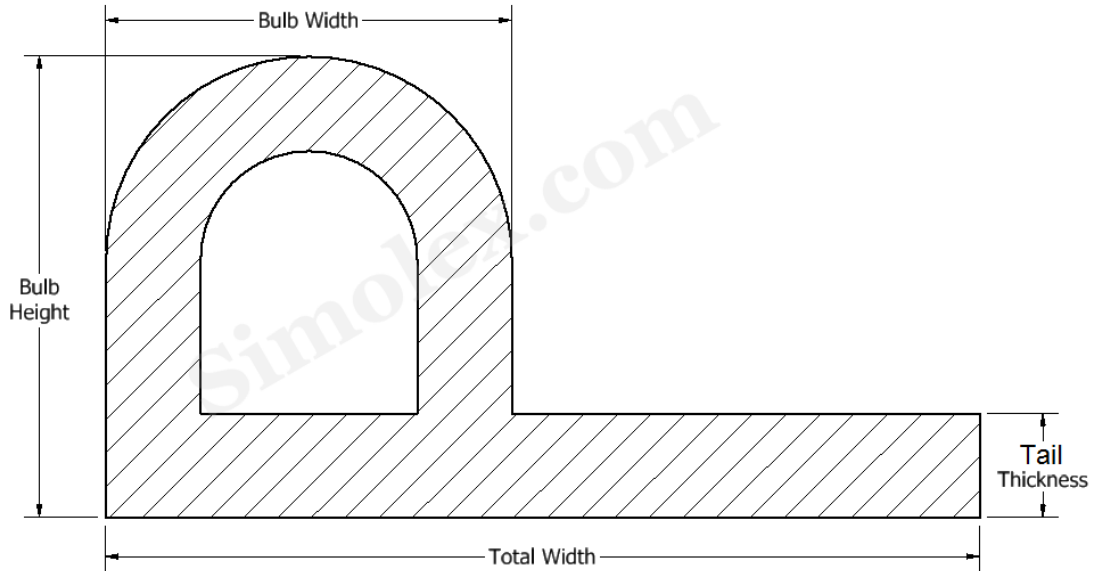


14505 Keel Street, Plymouth, MI 48170

Phone : (734) 453 – 4500

Fax : (734) 453 – 6120

Website: <http://simolex.com>



Part	P2
Total Width	
Bulb Height	
Tale Thickness	
Bulb Width	
Material Hardness	
Customer Notes	

Note: Indicate all the necessary dimensions in the drawing. If there is extra dimensional details you want to provide us, please indicate it in the drawing.

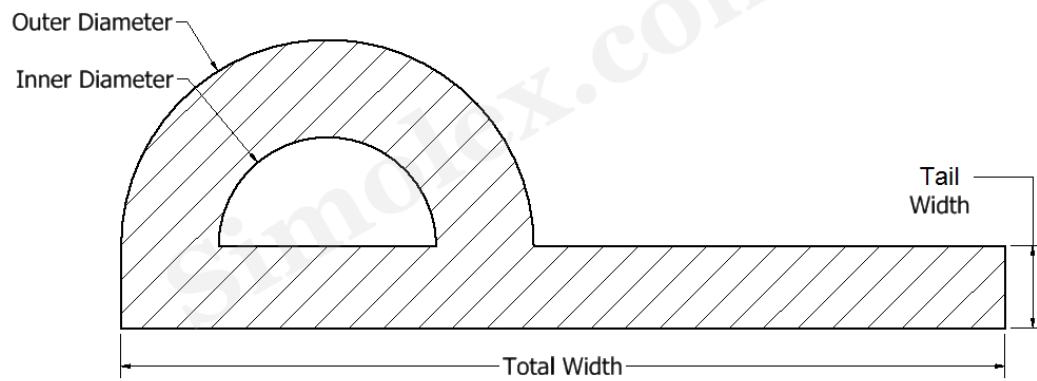


14505 Keel Street, Plymouth, MI 48170

Phone : (734) 453 – 4500

Fax : (734) 453 – 6120

Website: <http://simolex.com>



Part	P3
Total Width	
Tale Width	
Outer Diameter	
Inner Diameter	
Base Thickness	
Material Hardness	
Customer Notes	

Note: Indicate all the necessary dimensions in the drawing. If there is extra dimensional details you want to provide us, please indicate it in the drawing.

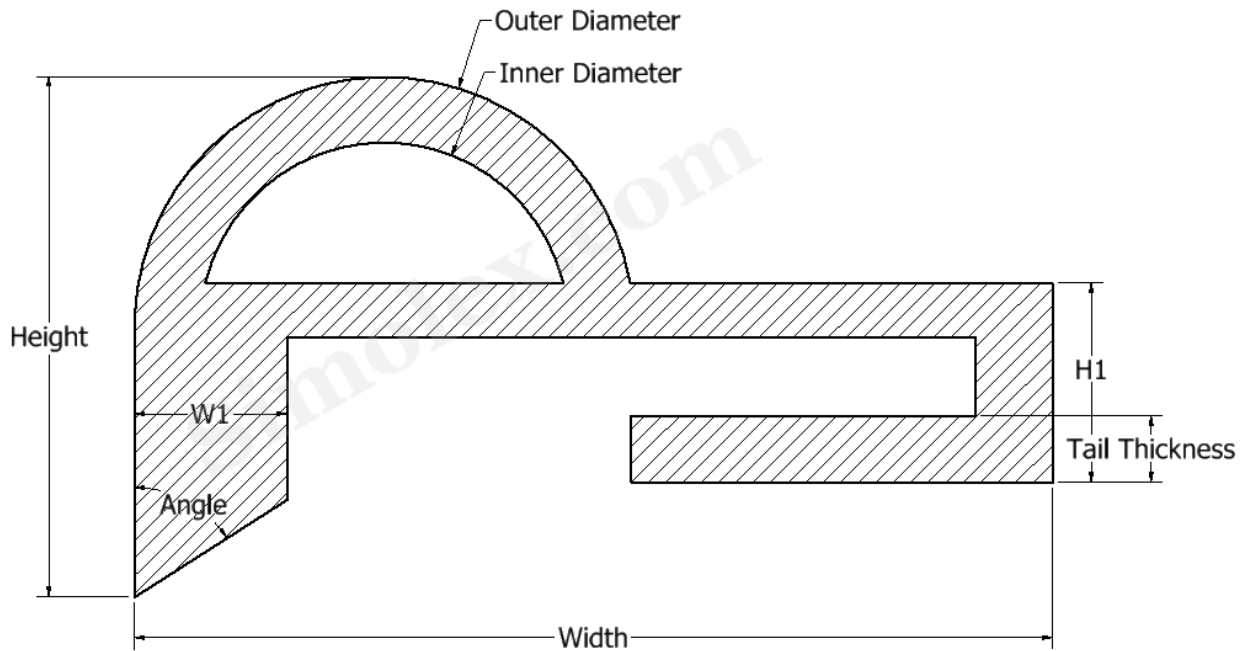


14505 Keel Street, Plymouth, MI 48170

Phone : (734) 453 – 4500

Fax : (734) 453 – 6120

Website: <http://simolex.com>



Part	P4
Width	
Height	
Tail Thickness	
H1	
W1	
Angle	
Outer Diameter	
Inner Diameter	
Material Hardness	
Customer Notes	

Note: Indicate all the necessary dimensions in the drawing. If there is extra dimensional details you want to provide us, please indicate it in the drawing.

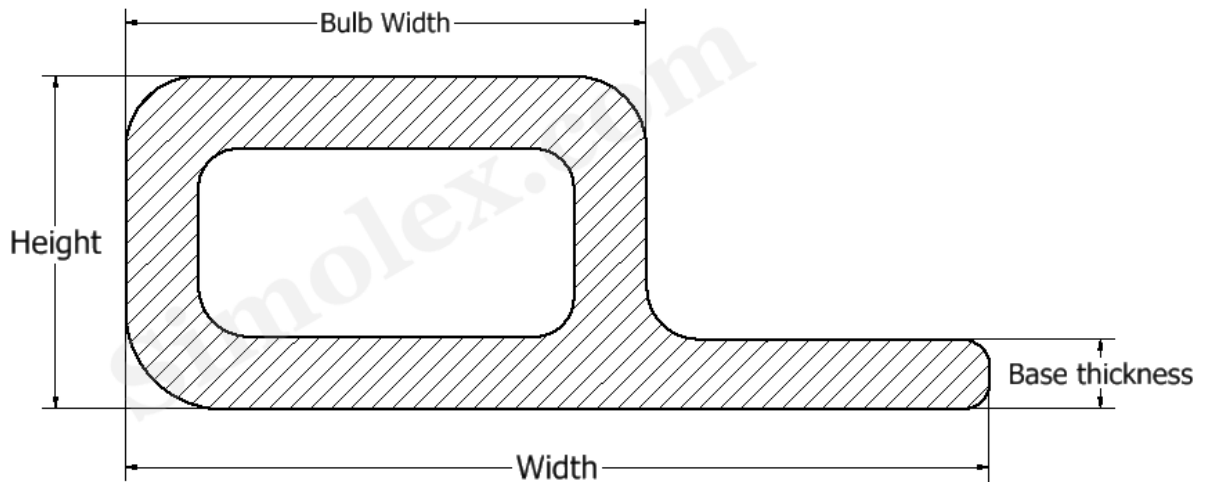


14505 Keel Street, Plymouth, MI 48170

Phone : (734) 453 – 4500

Fax : (734) 453 – 6120

Website: <http://simolex.com>



Part	P5
Width	
Height	
Base Thickness	
Material Hardness	
Customer Notes	

Note: Indicate all the necessary dimensions in the drawing. If there is extra dimensional details you want to provide us, please indicate it in the drawing.

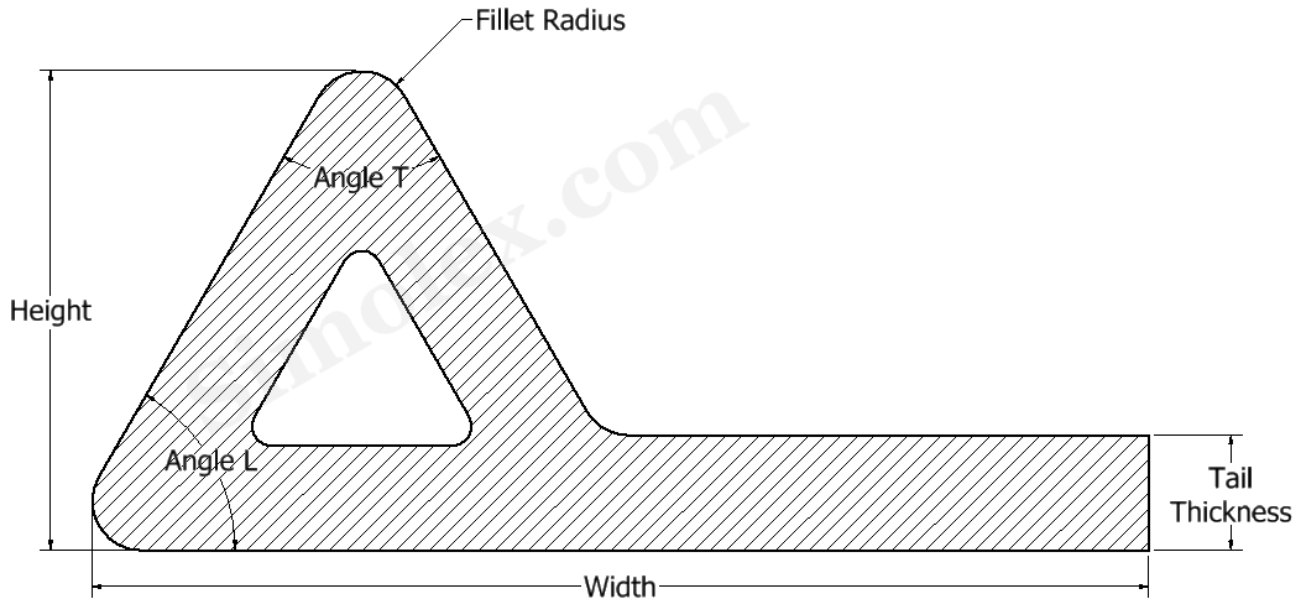


14505 Keel Street, Plymouth, MI 48170

Phone : (734) 453 – 4500

Fax : (734) 453 – 6120

Website: <http://simolex.com>



Part	P6
Width	
Height	
Base Thickness	
Material Hardness	
Customer Notes	

Note: Indicate all the necessary dimensions in the drawing. If there is extra dimensional details you want to provide us, please indicate it in the drawing.

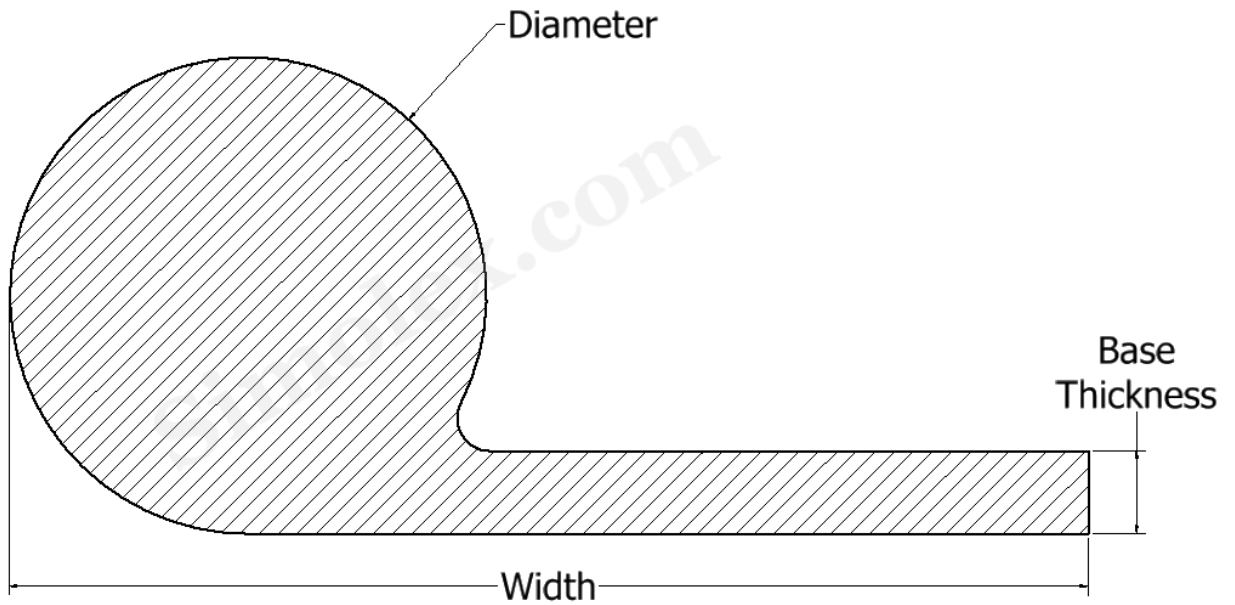


14505 Keel Street, Plymouth, MI 48170

Phone : (734) 453 – 4500

Fax : (734) 453 – 6120

Website: <http://simolex.com>



Part	P7
Width	
Height	
Base Thickness	
Material Hardness	
Customer Notes	

Note: Indicate all the necessary dimensions in the drawing. If there is extra dimensional details you want to provide us, please indicate it in the drawing.

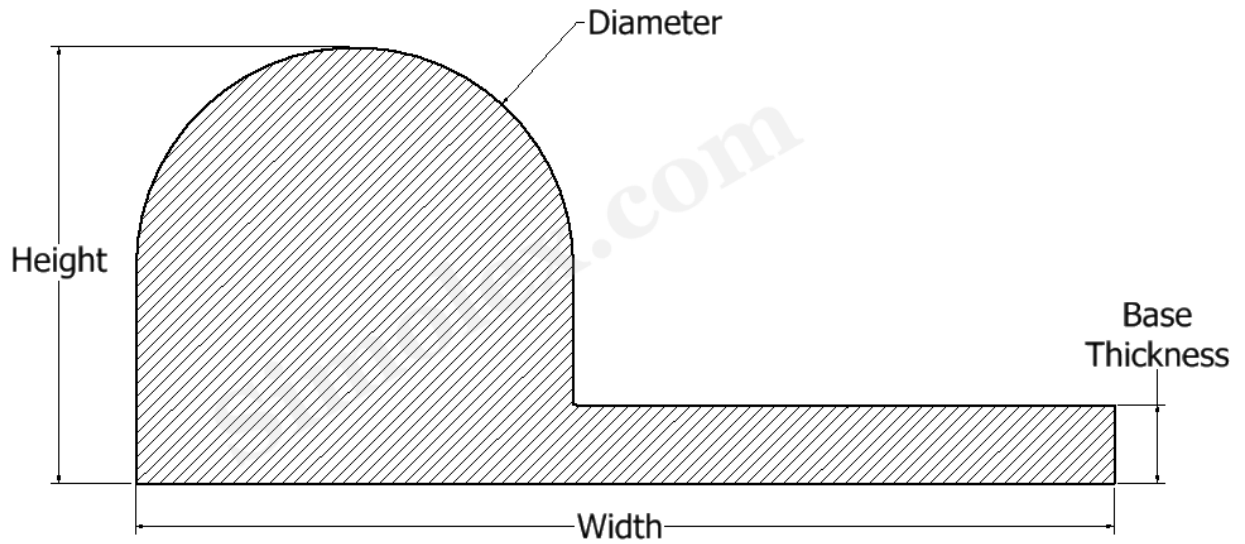


14505 Keel Street, Plymouth, MI 48170

Phone : (734) 453 – 4500

Fax : (734) 453 – 6120

Website: <http://simolex.com>



Part	P8
Width	
Height	
Base Thickness	
Material Hardness	
Customer Notes	

Note: Indicate all the necessary dimensions in the drawing. If there is extra dimensional details you want to provide us, please indicate it in the drawing.

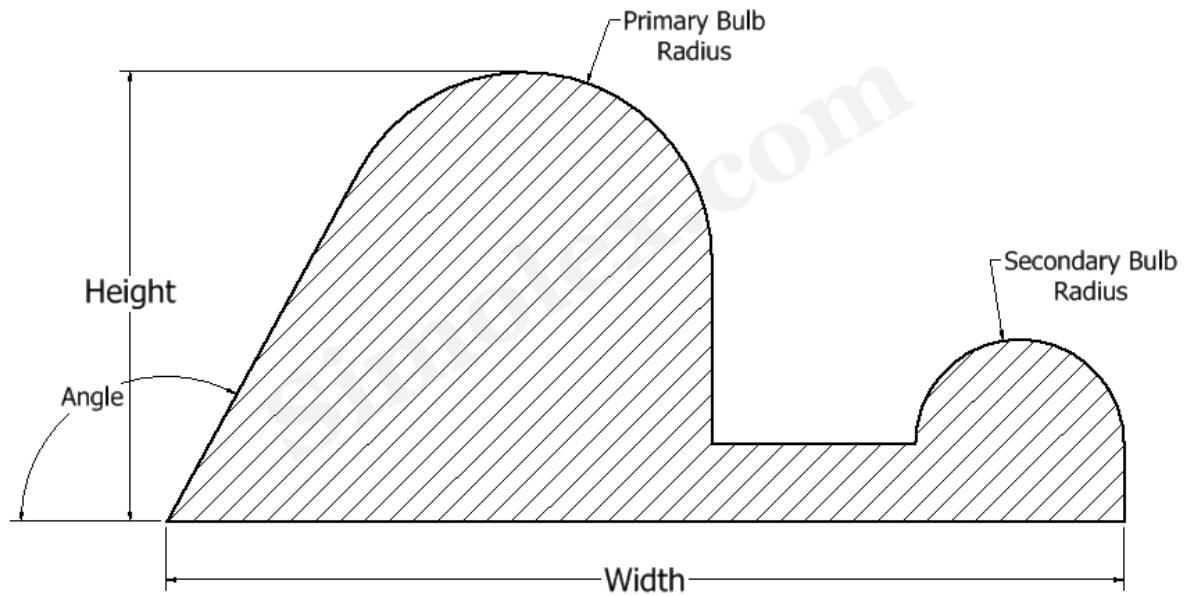


14505 Keel Street, Plymouth, MI 48170

Phone : (734) 453 – 4500

Fax : (734) 453 – 6120

Website: <http://simolex.com>



Part	P9
Width	
Height	
Base Thickness	
Material Hardness	
Customer Notes	

Note: Indicate all the necessary dimensions in the drawing. If there is extra dimensional details you want to provide us, please indicate it in the drawing.

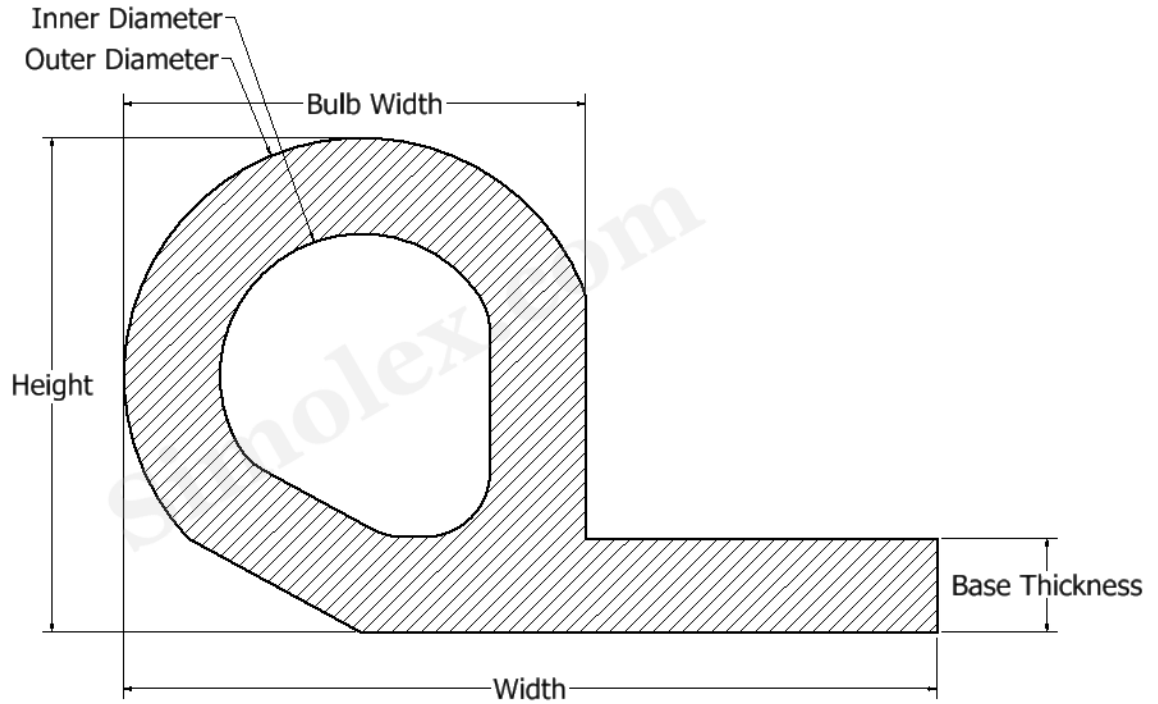


14505 Keel Street, Plymouth, MI 48170

Phone : (734) 453 – 4500

Fax : (734) 453 – 6120

Website: <http://simolex.com>



Part	P10
Width	
Height	
Base Thickness	
Material Hardness	
Customer Notes	

Note: Indicate all the necessary dimensions in the drawing. If there is extra dimensional details you want to provide us, please indicate it in the drawing.